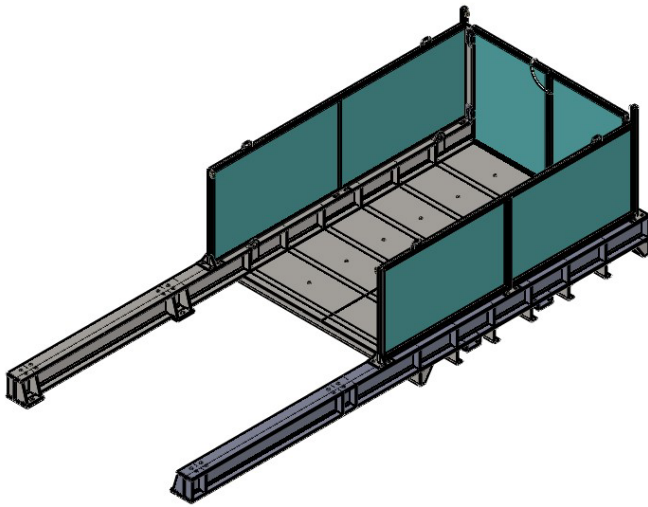


CRANE LOADING DECK MCCLP30 SPECIFICATIONS



The type MCCLP30 Cantilevered Crane Loading Platform is used as a temporary platform attached to the building of multi-storey buildings/structures to allow materials and equipment to be directly loaded onto or shifted off floor levels by crane during construction or demolition. The platform is fitted with a 4 point crane lift for transport/mounting.

The platform is rated to support a uniformly distributed load (UDL) of 3 tonne. Alternatively, the platform is rated to withstand a 2 tonne load where it is assumed that the load is spread over an area of one square metre.

SPECIFICATIONS:

- Working Load Limit (WLL) 3000 kg UDL
- Concentrated Load 2000 kg (over 1 square metre)
- Supplied with 4 adjustable aluminum support props
- 4 point crane lift
- Unit Weight 1220 kg

