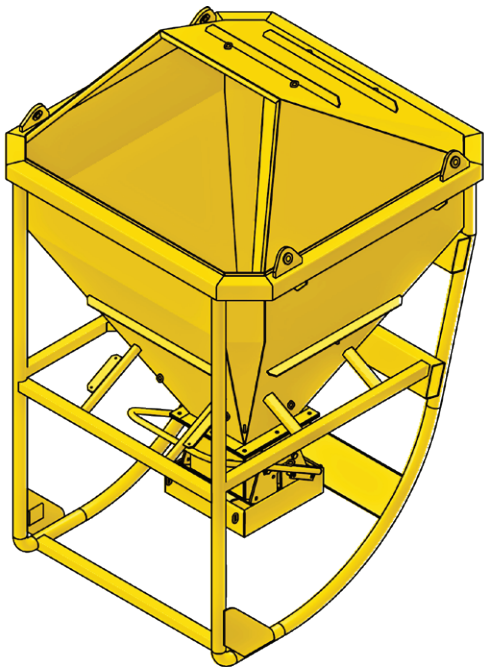


# CONCRETE KIBBLE LAYDOWN CKROF30



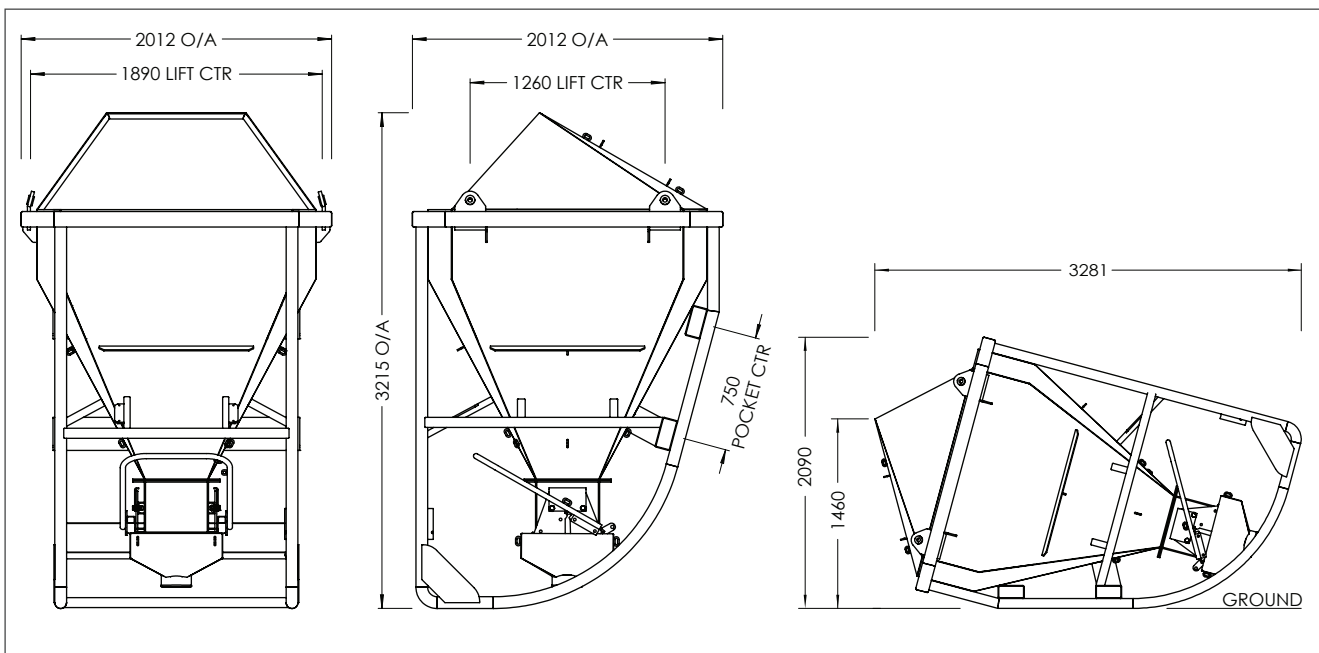
The CKROF30 Concrete Kibble is a heavy duty, roll-over style for easy transfer of concrete on site by overhead crane.

## Features:

- Suits large applications requiring up to 3m<sup>3</sup> capacity
- Roll-over (laydown) style allows filling from concrete dispensing chute
- Fitted with a lever operated 400 x 400mm clamshell gate with auto close
- Removable concrete funnel with 2m lay-flat hose allows controlled flow when filling wall cavities, columns or narrow formwork
- 4 point lift crane lugs fitted to increase safety and reduce weight
- Fork pockets fitted for transport around the work site when empty
- Hydraulic option (CKRO30H) available to remotely control kibble
- Available in manual (CKROF30-SV) or hydraulic (CKROF30-SVH) slide valve operated models for precise control of concrete flow
- Also available in 2cu.m capacity models (CKROF20)
- Enamel paint finish



|                          |                      |
|--------------------------|----------------------|
| Working Load Limit (WLL) | 7500kg               |
| Volume                   | 3.0cu.m              |
| Filling Height           | 1460mm               |
| Laydown Dimensions       | 3280 x 2010 x 2090mm |
| Funnel Hose              | Ø200mm x 2m long     |
| Unit Weight              | 1000kg (incl funnel) |
| Fork Pocket Size         | 185 x 85mm           |
| Fork Pocket Centres      | 750mm                |



Australia Wide Sales & Service

sales@materialshandling.com.au | www.materialshandling.com.au | 1300 65 00 35

**MATERIALS**  
**Handling** PTY LTD *Working with ease.*